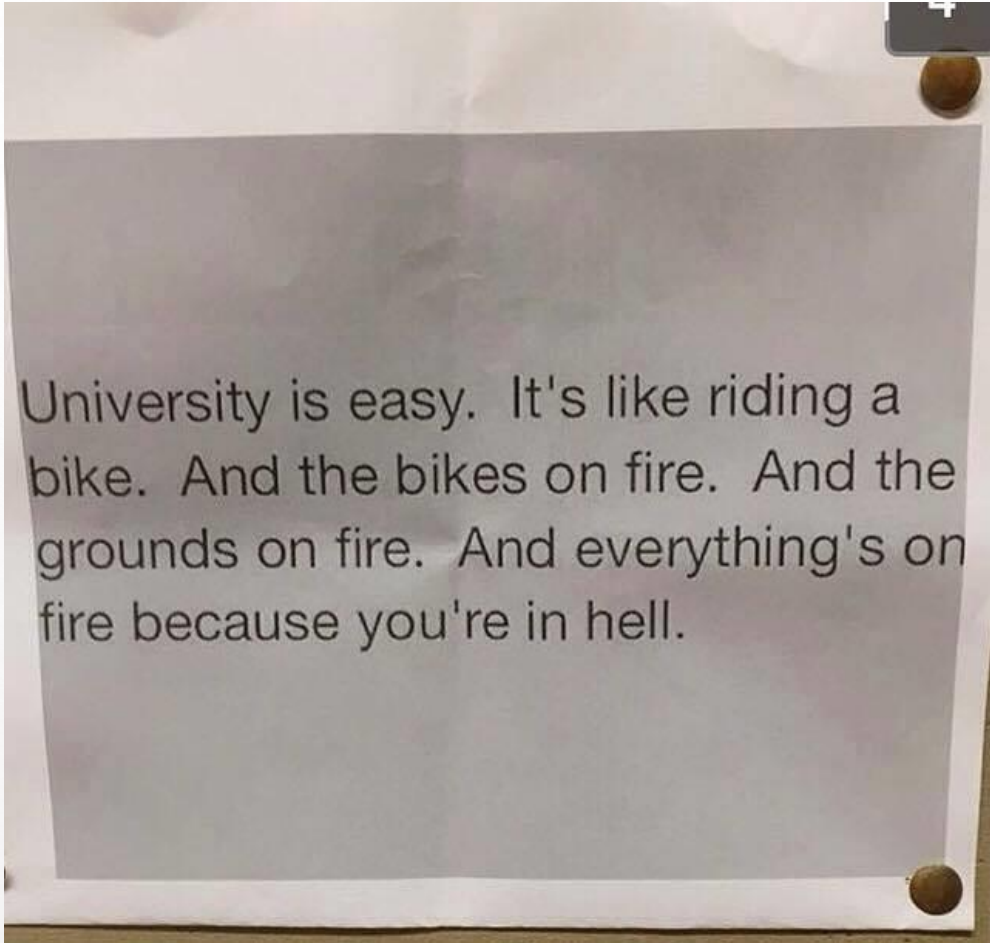


The background of the slide is white and decorated with several realistic water droplets of various sizes. The droplets are rendered with soft shadows and highlights, giving them a three-dimensional appearance. They are scattered across the frame, with a higher concentration in the top-left and bottom-right corners.

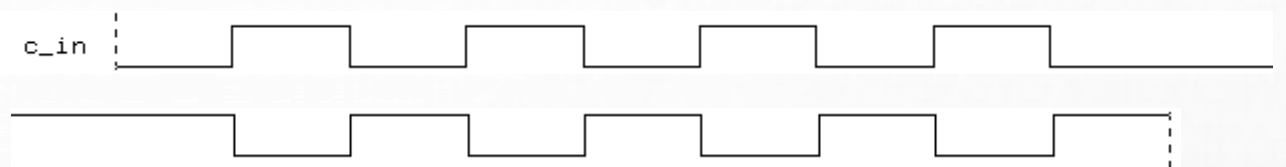
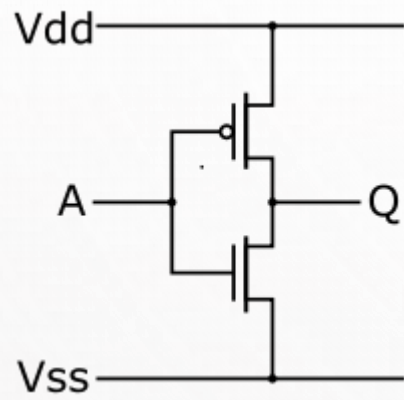
BUILDING CMOS LOGIC FOR REAL

GOOD MORNING



University is easy. It's like riding a bike. And the bikes on fire. And the grounds on fire. And everything's on fire because you're in hell.

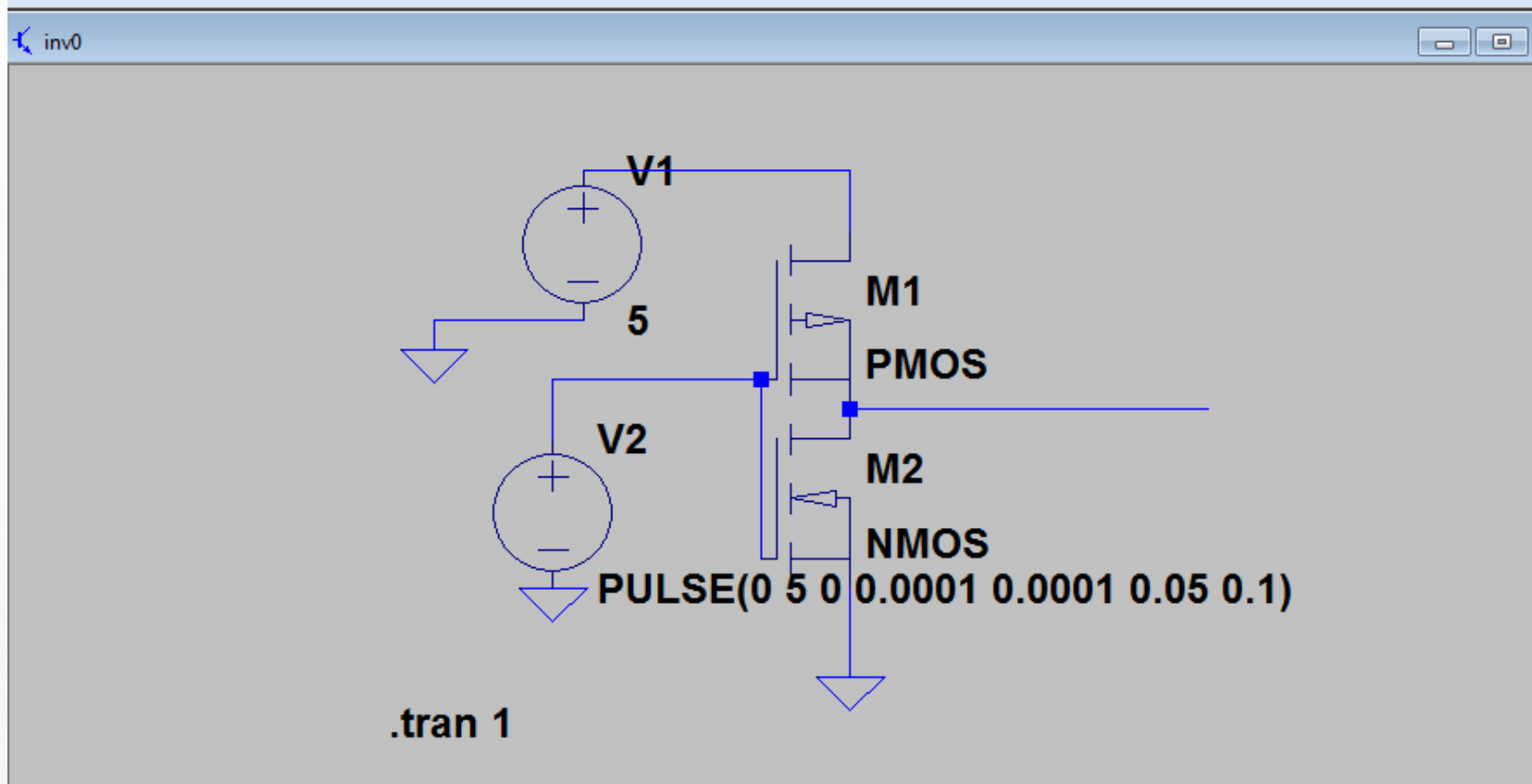
WONDERLAND



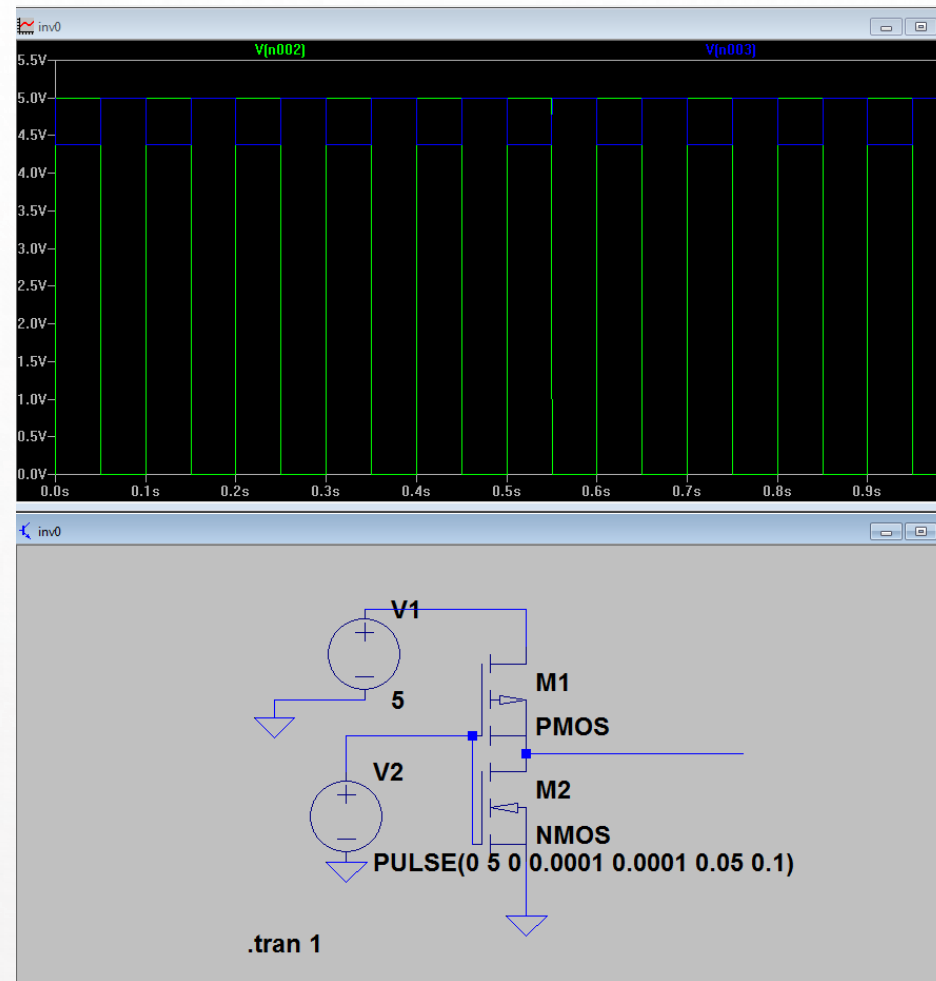
GET SPICED

- [HTTP://WWW.LINEAR.COM/DESIGNTOOLS/SOFTWARE/](http://www.linear.com/designtools/software/)

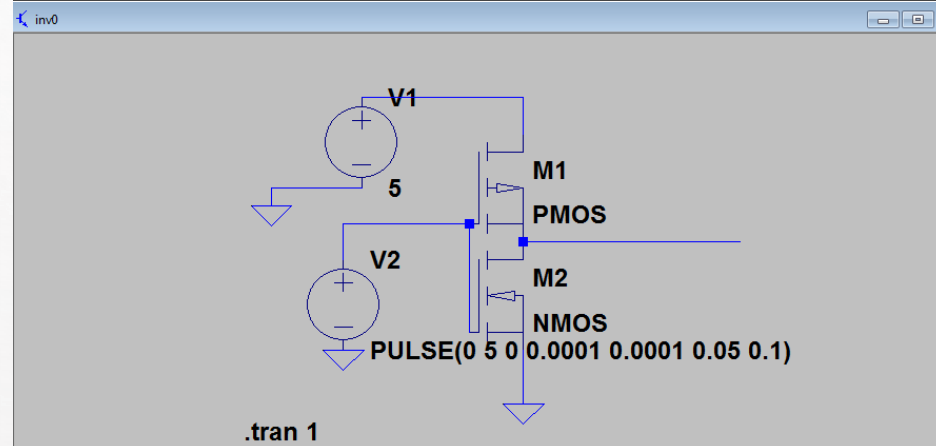
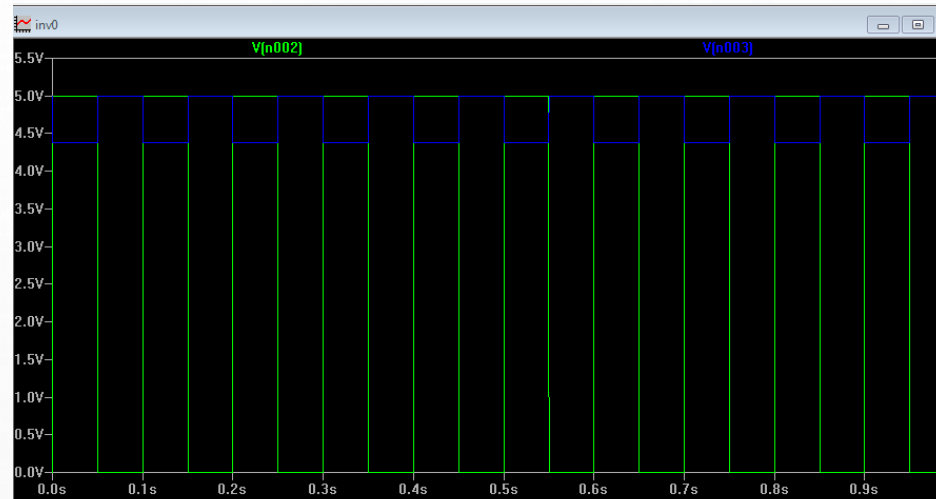
REALITY



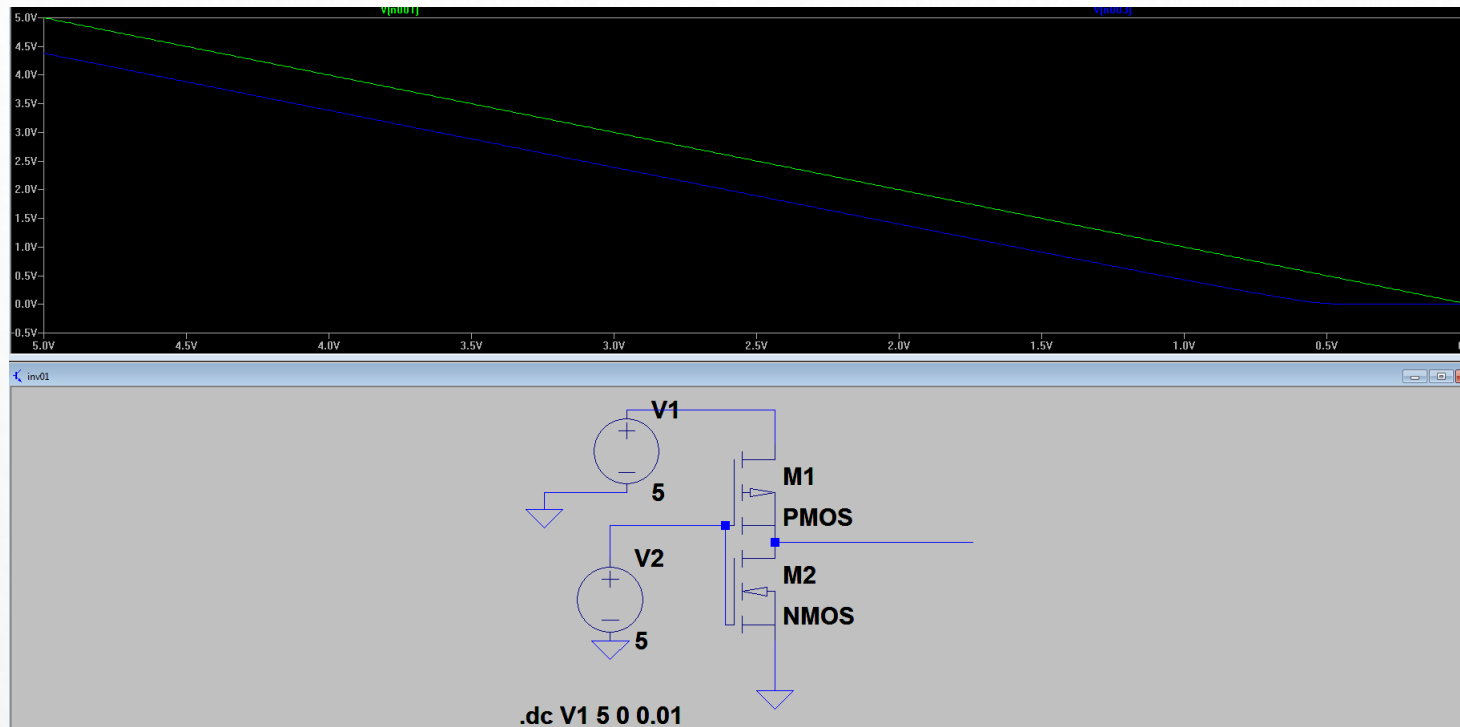
REALITY



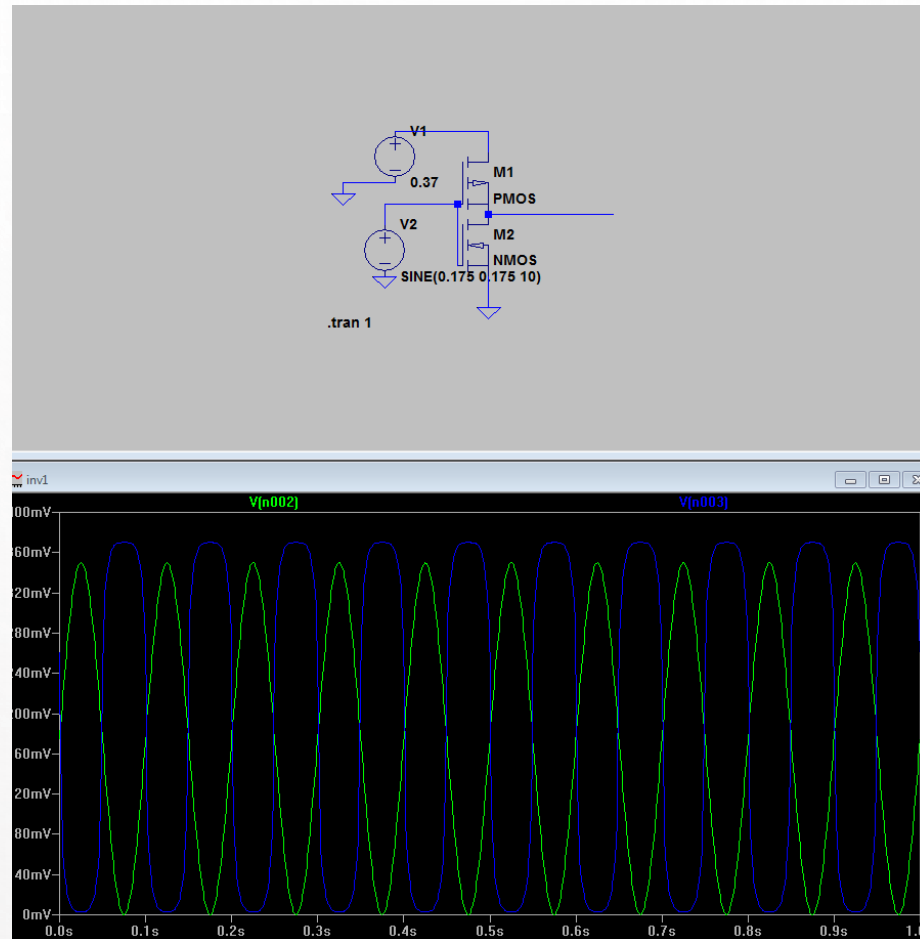
REALITY



REALITY



REALITY



The background features several realistic water droplets of various sizes, some clustered in the corners and others scattered. The droplets have highlights and shadows, giving them a three-dimensional appearance. The text is centered in a bold, black, sans-serif font.

THAT'S JUST THE BEGINNING

- MAKE AN NOR

UNNECESSARILY COMPLEMENTARY MATERIAL

- [HTTP://WWW.NTSPRESS.COM/WP-CONTENT/UPLOADS/2009/01/CALHOUN SAMPLE CH3.PDF](http://www.ntspress.com/wp-content/uploads/2009/01/calhoun_sample_ch3.pdf)
- [HTTP://BWRCS.EECS.BERKELEY.EDU/CLASSES/ICDESIGN/EE141_F01/NOTES/CHAPTER6.PDF](http://bwrcs.eecs.berkeley.edu/classes/icdesign/ee141_f01/notes/chapter6.pdf)